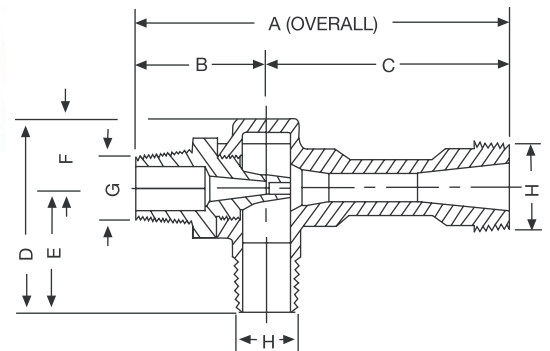


Fig. 518 Steam / Air Jet Exhauster

LOW-COST, EFFICIENT VACUUM PERFORMANCE

- Improved suction flow and discharge pressure capabilities
- Designed for gas handling and evacuation applications
- Low cost solution for general vacuum service
- Utilize steam or air as a motive force to create vacuum levels to 5 in HgAbs
- Enhanced Performance
- Investment Cast Body
- Standard Material 316 SST
- NPT Connections
- Special Sizes with Fabricated Construction
- PVC Construction Available

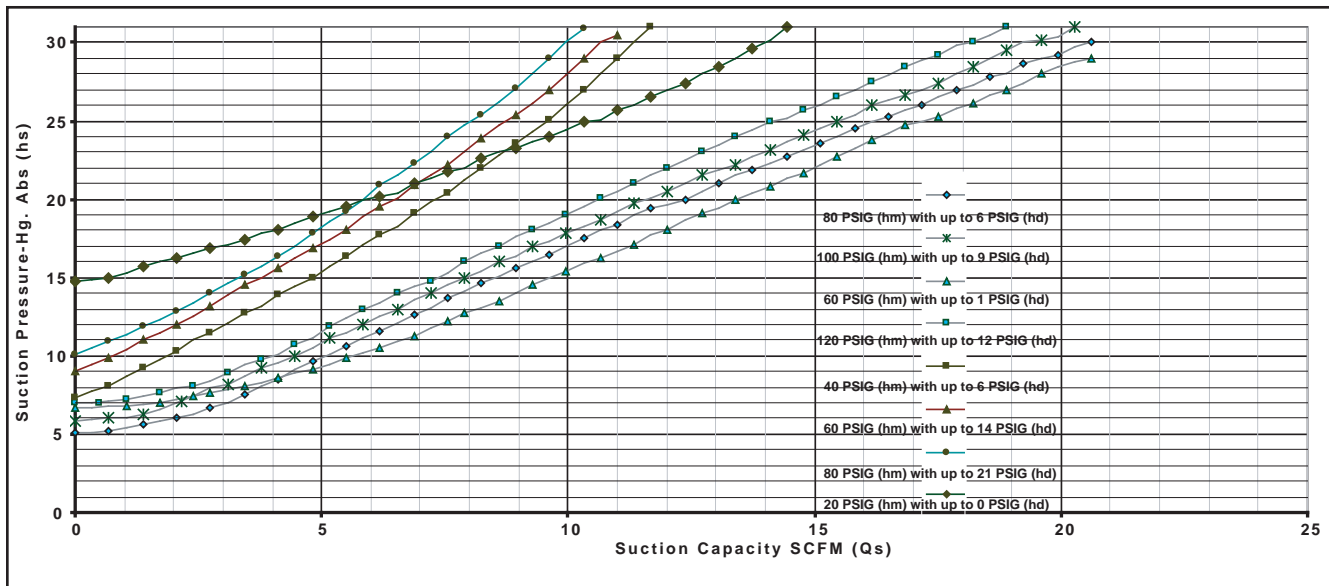


Size	Weight	Dimensions						Connections	
		A	B	C	D	E	F	G	H
1/2 A	1	4 3/8	1 1/2	2 7/8	1 13/16	1 1/4	9/16	1/4	1/2
1/2 B	1	4 3/8	1 1/2	2 7/8	1 13/16	1 1/4	9/16	1/4	1/2
1/2	1	4 1/2	1 5/8	2 7/8	1 13/16	1 1/4	9/16	3/8	1/2
3/4	1	5 7/8	2	3 7/8	2 1/4	1 1/2	3/4	1/2	3/4
1	2	7 1/8	2 1/4	4 7/8	2 3/4	1 3/4	1	3/4	1
1 1/2	4	11	2 3/4	8 1/4	3 21/32	2 1/2	1 5/16	1	1 1/2
2	8	14 3/8	3 1/8	11 1/4	5	2 7/8	2 1/8	1 1/4	2
3	30	23 7/8	4	19 7/8	7	4	3	2	3

EFFICIENT VACUUM PERFORMANCE - 518 L & H EVACUATION TIME

Operating Steam Pressure (hm)	Suction Pressure in. hg. abs. (hs)	Time in Minutes per																Operating Steam Used lbs./hr. (Qm)	
		10 Cubic Feet		Evacuated		100 Cubic Feet Evacuated													
		1/2" A		1/2" B		1/2"		3/4"		1"		1-1/2"		2"		3"			
		L	H	L	H	L	H	L	H	L	H	L	H	L	H	L	H		
30 PSIG	25"	0.82		0.52		2.06		1.20		0.72		0.25		0.14		0.04		103	
	20"	1.62		1.03		4.12		2.30		1.41		0.48		0.26		0.08		103	
	15"	2.99		1.89		7.22		4.12		2.58		0.89		0.48		0.15		103	
	10"	5.15		3.30		12.71		7.56		4.47		1.55		0.86		0.26		103	
40 PSIG	25"	0.58		0.38		1.41		0.82		0.48		0.17		0.09		0.03		126	
	20"	1.37		0.86		3.40		1.99		1.20		0.41		0.23		0.07		126	
	15"	2.85		1.82		7.22		4.12		2.51		0.86		0.48		0.14		126	
	10"	5.40		3.44		13.40		7.90		4.81		1.62		0.89		0.27		126	
60 PSIG	25"	0.34	0.58	0.22	0.38	0.86	1.41	0.48	0.82	0.30	0.48	0.10	0.17	0.05	0.09	0.02	0.03	76	171
	20"	0.79	1.62	0.52	1.03	1.99	4.12	1.17	2.30	0.69	1.41	0.24	0.48	0.13	0.26	0.04	0.08	76	171
	15"	1.37	3.20	0.86	2.06	3.40	7.90	1.99	4.47	1.20	2.78	0.41	0.96	0.23	0.52	0.07	0.16	76	171
	10"	2.65	6.53	1.68	4.12	6.53	16.15	3.78	9.28	2.30	5.84	0.79	1.62	0.45	1.07	0.13	0.33	76	171
80 PSIG	25"	0.34	0.69	0.22	0.45	0.86	1.72	0.48	1.00	0.30	0.58	0.10	0.21	0.05	0.11	0.02	0.03	95	214
	20"	0.69	1.72	0.45	1.10	1.72	4.12	1.00	2.47	0.58	1.51	0.21	0.52	0.11	0.28	0.03	0.09	95	214
	15"	1.37	3.33	0.86	2.13	3.40	8.25	1.99	4.81	1.20	2.89	0.41	1.00	0.23	0.55	0.07	0.17	95	214
	10"	2.75	6.87	1.75	4.47	6.87	17.18	3.78	9.97	2.41	5.84	0.82	2.06	0.45	1.13	0.14	0.34	95	214
100 PSIG	25"	0.34	0.69	0.22	0.45	0.86	1.72	0.48	1.00	0.30	0.58	0.10	0.21	0.05	0.11	0.02	0.03	114	258
	20"	0.79	1.82	0.52	1.17	1.99	4.47	1.17	2.65	0.69	1.58	0.24	0.55	0.13	0.30	0.04	0.09	114	258
	15"	1.62	4.12	1.03	2.54	4.12	9.97	2.30	5.84	1.41	3.44	0.48	1.20	0.26	0.65	0.08	0.20	114	258
	10"	2.99	13.75	1.89	8.93	7.22	34.02	4.12	19.93	2.61	12.03	0.89	4.12	0.48	2.27	0.15	0.69	114	258
120 PSIG	25"	0.34		0.22		0.86		0.48		0.30		0.10		0.05		0.02		134	
	20"	0.93		0.58		2.27		1.31		0.79		0.27		0.15		0.04		134	
	15"	1.82		1.17		4.47		2.65		1.58		0.55		0.30		0.09		134	
	10"	3.09		1.96		7.56		4.47		2.68		0.93		0.52		0.16		134	

1 L, H SUCTION AIR LOAD SCFM (Qs) PERFORMANCE CURVES (EXHAUSTING)



Steam Pres. (hm.)	20	40	60	80	100	120	150
L			76	95	114	134	162
H	81	125	171	214	258	301	366

Air Pres. (hm.)	20	40	60	80	100	120	150
L			25	32	38	45	54
H	27	42	57	71	86	101	122

Size	1/2 A	1/2 B	1/2	3/4	1	1 1/2	2	3
Factor	.011	.017	.042	.605	1	2.91	5.29	17.21

